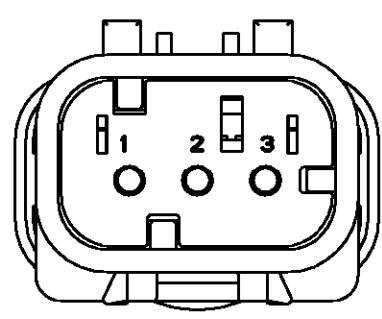
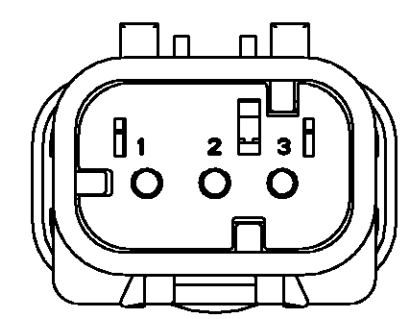


THIS DRAWING IS UNPUBLISHED. RELEASED FOR PUBLICATION  
 © COPYRIGHT 20 BY TYCO ELECTRONICS CORPORATION. ALL RIGHTS RESERVED.

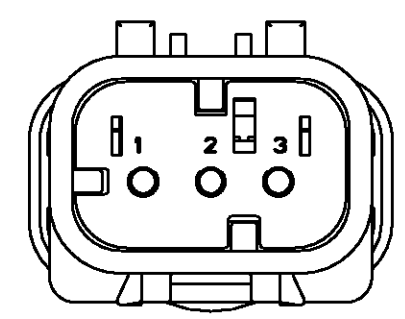
LOC	DIST	REVISIONS					
		P	LTR	DESCRIPTION	DATE	DWN	APVD
GE	00		D	REV PER ECR-05-004331	24OCT2005	VS	RS



776430-2  
SCALE 2:1

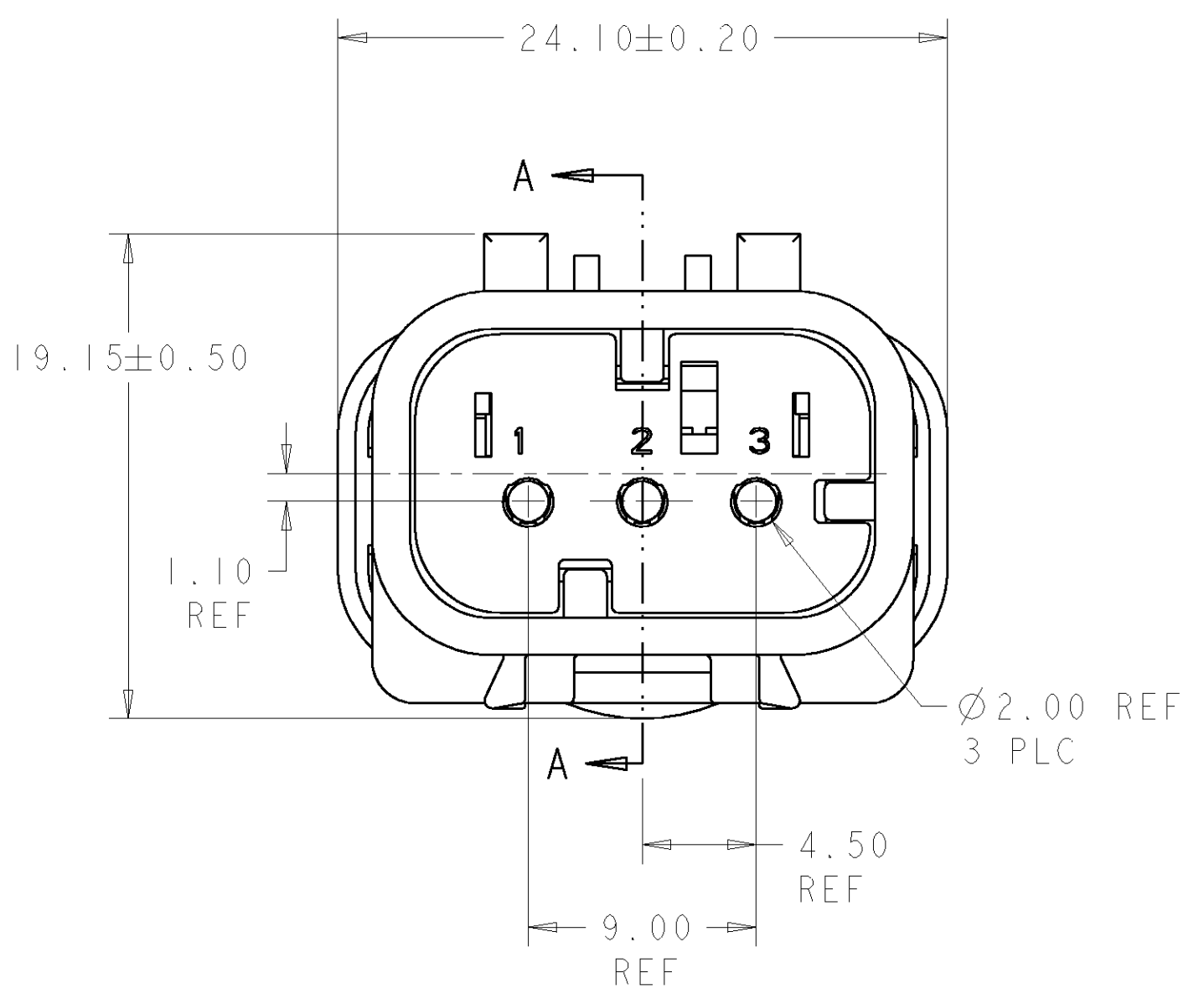


776430-3  
SCALE 2:1

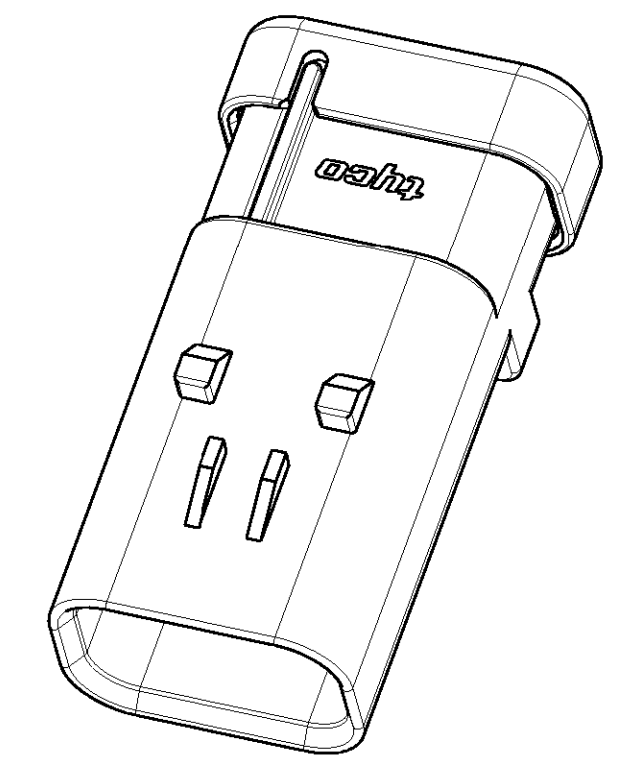
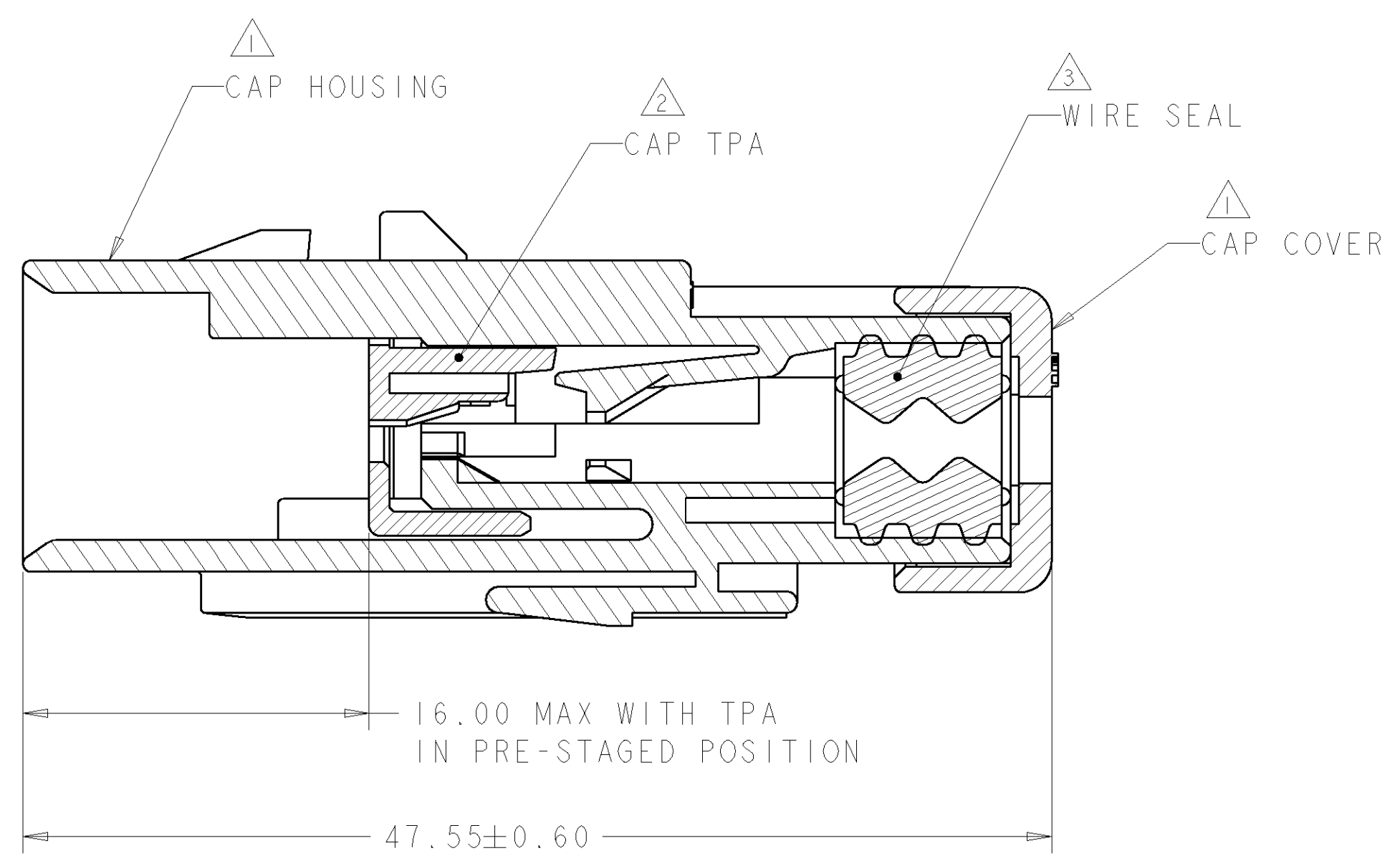


776430-4  
SCALE 2:1

- ① MATERIAL: 15% GLASS FILLED THERMOPLASTIC  
COLOR: BLACK
- ② MATERIAL: 15% GLASS FILLED THERMOPLASTIC  
COLOR: (SEE TABLE)
- ③ MATERIAL: SILICONE  
COLOR: YELLOW



776430-1 SHOWN



SCALE 2:1

TPA COLOR	PART NUMBER
GREEN	776430-4
YELLOW	776430-3
GRAY	776430-2
RED	776430-1

THIS AMP PROPRIETARY INFORMATION IS CONFIDENTIAL AND IS DISCLOSED TO YOU ON CONDITION THAT NO FURTHER DISCLOSURE IS MADE BY YOU TO ANYONE OTHER THAN AMP PERSONNEL WITHOUT WRITTEN AUTHORIZATION FROM AMP INCORPORATED, HARRISBURG, PA.

THIS DRAWING IS A CONTROLLED DOCUMENT FOR TYCO ELECTRONICS CORPORATION IT IS SUBJECT TO CHANGE AND THE CONTROLLING ENGINEERING ORGANIZATION SHOULD BE CONTACTED FOR THE LATEST REVISION.		DWN Y. PETERSON 22FEB00 CHK R. GREINER 11DEC01 APVD M. TRULLI 11DEC01	<b>tyco</b> Electronics AMP Incorporated Harrisburg, PA 17105-3608
DIMENSIONS: mm 	TOLERANCES UNLESS OTHERWISE SPECIFIED: 0 PLC ± 1 PLC ± 2 PLC ± 3 PLC ± 4 PLC ± ANGLES ± FINISH	PRODUCT SPEC APPLICATION SPEC 114-13065 WEIGHT CUSTOMER DRAWING	NAME CAP ASSEMBLY, 3 POSITION, SINGLE ROW, AMPSEAL 16 SIZE A2 CAGE CODE 00779 DRAWING NO. 776430 RESTRICTED TO SCALE 4/1 SHEET 1 OF 1 REV D